

Electric fan coil thermostat

T125-E

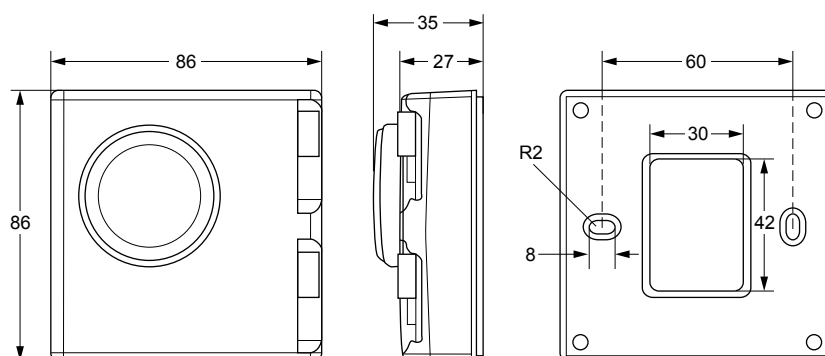
Analog fan coil thermostats

T125 electric fan coil thermostats are designed to control heating, cooling, or air conditioning unit in commercial, industrial and residential installation.

Typical application includes the control of fan coil units, packaged terminal air conditioners and combination heating and cooling equipment. As part of the system that consists of a two-way or three-way valve and a multi-speed line voltage fan.

Features

- ▶ 220 V power supply
- ▶ Heating and Cooling mode
- ▶ 2-4 pipes configuration
- ▶ 3-speed fan override
- ▶ 86 x 86 mm room enclosures
- ▶ Temperature dial ranges 10...30 °C
- ▶ Relay output max. 5A



Dimensions in mm

Ordering information

Codes	Built-in NTC	Setpoint range	2 pipes (Heating or cooling)	4 pipes (Heating and cooling)	Outputs	
					PAT	On/Off
T125BAC-JS0-E	•	10...30 °C	•	---	•	•
T125FAC-JS0-E			---	•	---	•